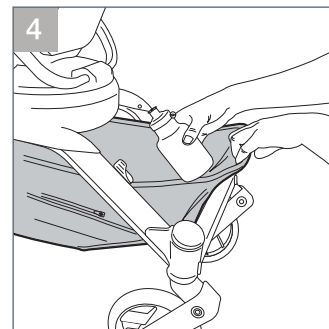
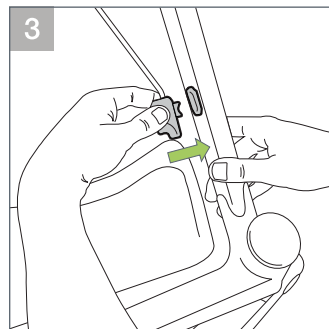
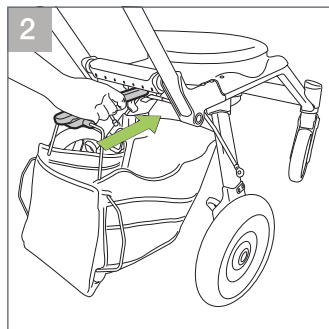
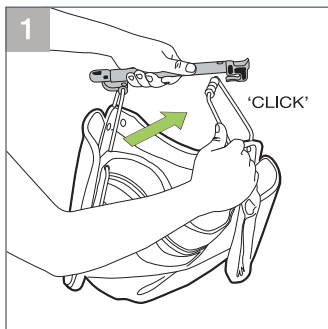


orbit baby™

G3 Cargo Basket



To assemble the cargo basket, hook the handle onto center of the front basket spar. Insert the cargo basket handle into the rail on the underside of the SmartHub. You will hear a **CLICK** when it locks in place. To secure the front of the basket, insert one of the plastic handles into the opening on the front part of the stroller base. Hold it in place while inserting the other plastic handle into the opening on the other side of the stroller base.